

TLP01701J1 (Water outlet)
 TLP01701J#BN1 (Water outlet)
 TLP01702B1 (Controlling unit)



**Auto
Functions**



Soft Flow



**Reduce The
Water
Technology**

FEATURES

- Elegant and graceful appearance.
- Smooth curve reveals quality of dignity .
- Unique soft flow technology brings you a unprecedented soft and gentle sense of water.
- Normal mode, continuous mode, cold water priority mode, cleaning mode and auto maintenance mode fit for different usage environment.

SPECIFICS

Water Inlet Requirement:
 0.05MPa(Dynamic Pressure)~
 1.0MPa(Static Pressure)

Water Efficiency: Grade1

Power Source: AC100~240V

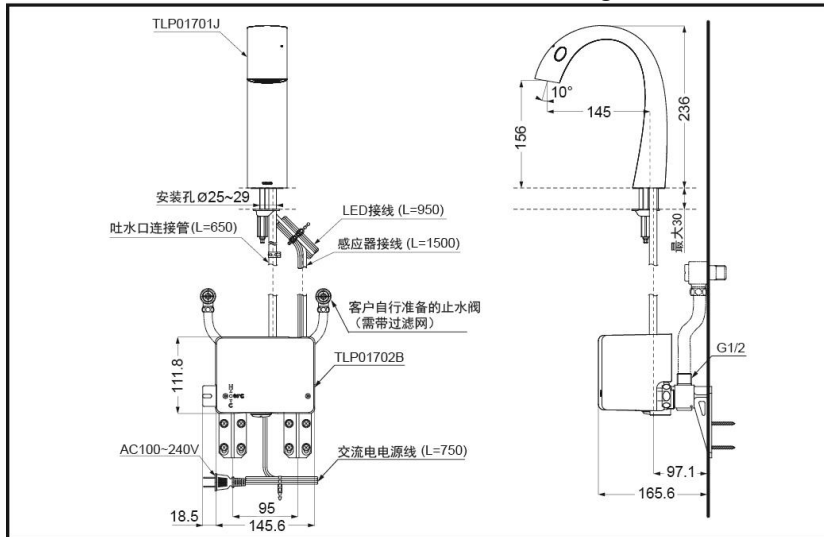
Sensor Detection Range:
 Self-adjusting(130~200mm)

Ambient Temperature: 0~40℃

Drainage Fittings: not included

TLP01701J1+TLP01702B1

Sensing Faucet



TOTO(CHINA) CO.,LTD. All rights reserved.

OTHERS

Recommend fittings:
 Lavatory LW4706B